

1993-2001 Subaru Impreza Installation Instructions

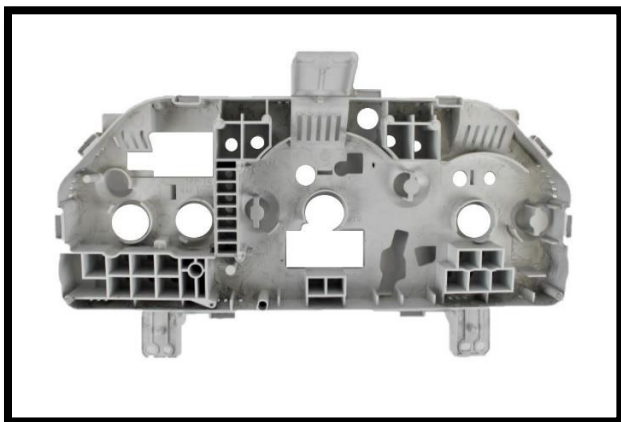
Step 1: Remove the hood.



Step 2: Unbolt and remove gauge cluster.

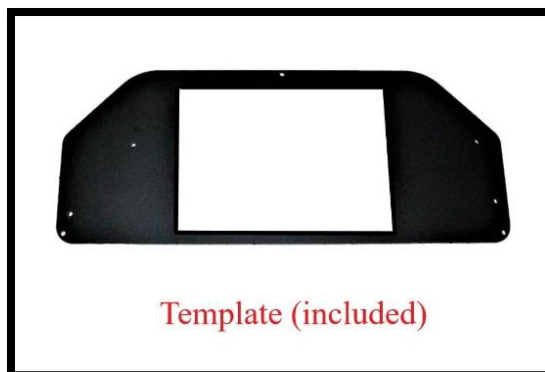


Step 3: Remove gauge cluster from the white back piece.

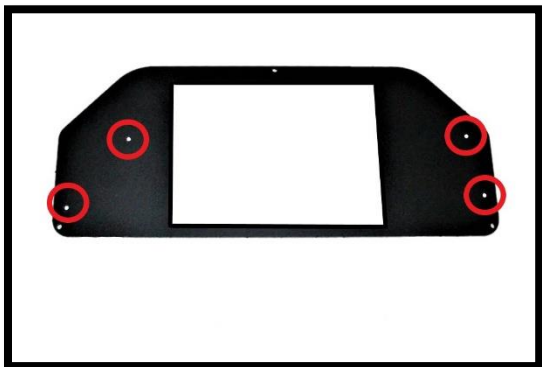


1993-2001 Subaru Impreza Installation Instructions

Step 4: Place template over the back of the white back piece (matte side up).



Step 5: Drill four .149" diameter holes in the places pictured below.

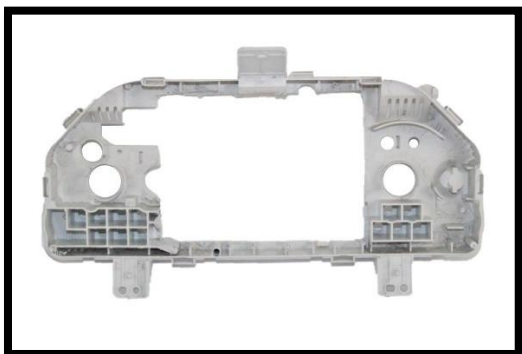


Step 6: Follow included template and cut out middle of the white back piece.



1993-2001 Subaru Impreza Installation Instructions

Step 7: Remove the template and clean off white back piece of any excess debris.



Step 8: Install AEM digital dash into Classic Dash panel.



Step 9: Attach Classic Dash panel to white back housing using included attachment screw kit.



1993-2001 Subaru Impreza Installation Instructions

Step 10: Re-attach the hood in the dash carrier, without the glass lens.



Step 11: Place Classic Dash panel and AEM assembly back into dash carrier.

