

2002-07 Subaru Impreza Installation Instructions

Step 1: Remove the hood.

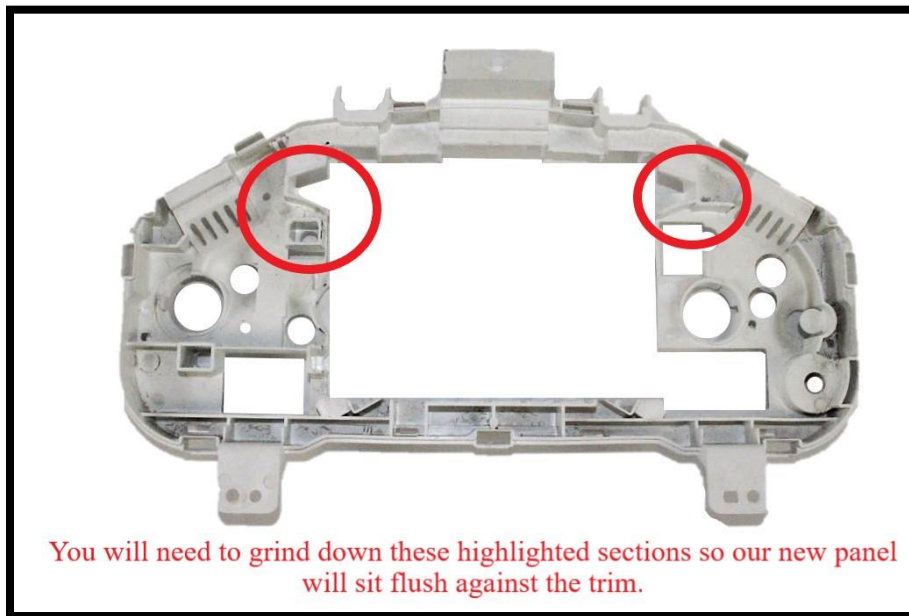


Step 2: Unbolt and remove gauge cluster.



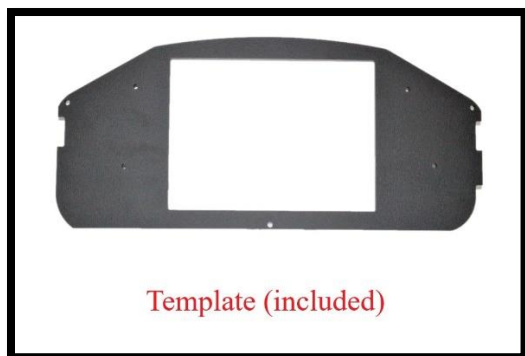
Step 3: Remove gauge cluster from the white back piece.

Step 4: You will need to modify the white back piece to get the template to fit.



2002-07 Subaru Impreza Installation Instructions

Step 5: Place template over the back of the white back piece (matte side up).



Step 6: Drill out four holes on the template for attachment.

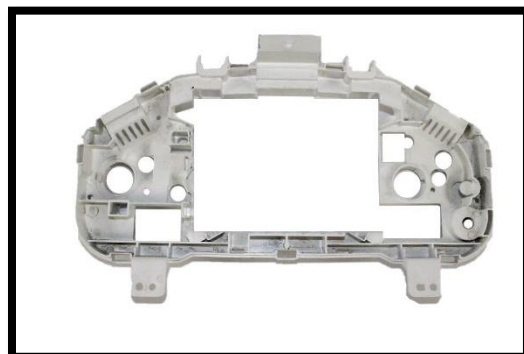


Step 7: Follow included template and cut out middle of the white back piece.



2002-07 Subaru Impreza Installation Instructions

Step 8: Remove the template and clean off white back piece of any excess debris.



Step 9: Install AEM digital dash into Classic Dash panel.



Step 10: Attach Classic Dash panel to white back housing using included attachment screw kit.



2002-07 Subaru Impreza Installation Instructions

Step 11: Re-attach the hood in the dash carrier, without the glass lens.



Step 12: Place Classic Dash panel and AEM assembly back into dash carrier.

